

1 CLASSIFICATION OF ROLLING BEARINGS

1.1 Denomination of Rolling Bearings

Most rolling bearings consist of Inner and outer rings with raceways, rolling elements (balls or rollers), a cage (rolling element retainer) and sealing elements. If necessary depending on application, they may be furnished with parts, such as snap rings, O-rings and holders.

Fig. 1.1. illustrates denomination of rolling bearing components.

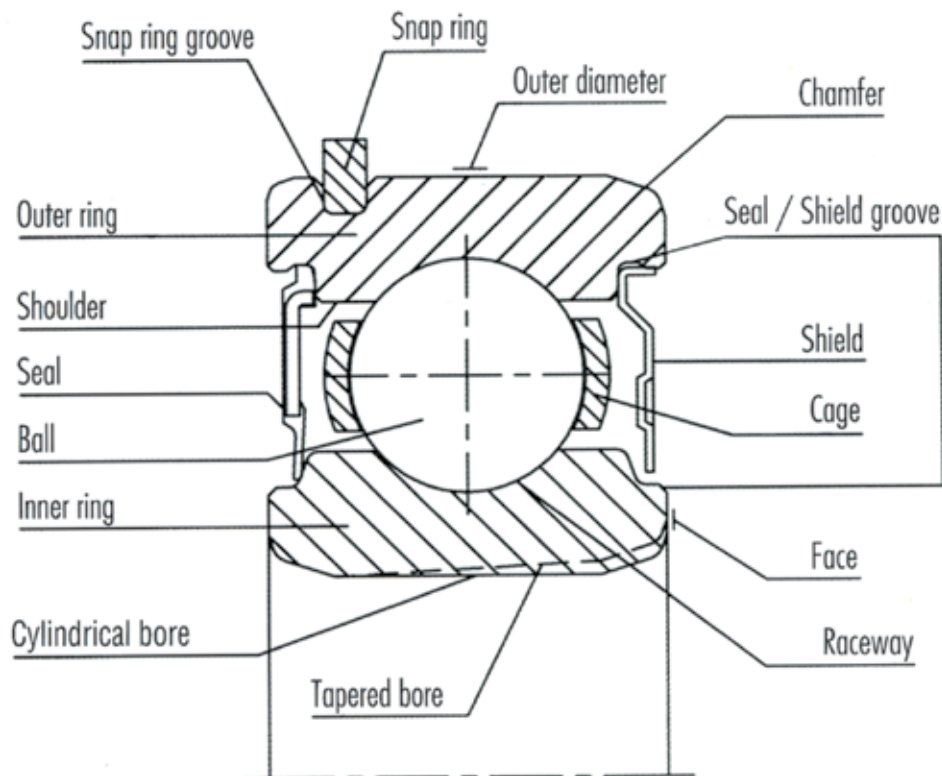


FIGURE 1.1
Designation of Bearing Parts